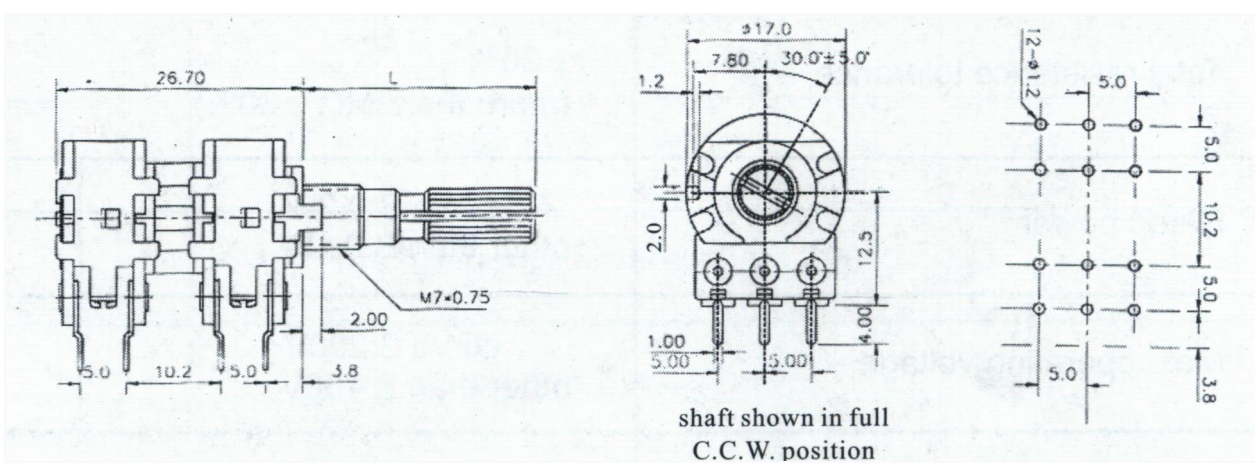


Copyright Elcon [India]. Unauthorised use and distribution of this document is strictly forbidden.



PART NAME:- ER1620G1□A1-
X

PREPARED BY
MAHESH

REVIEWED BY
A.S BISHI

TOLERANCE	
UP TO 10	±0.3
OVER 10 TO 100	±0.5
OVER 100	+1

DATE	
30.06.11	
UNIT	SCALE
MM	N.T.S.

