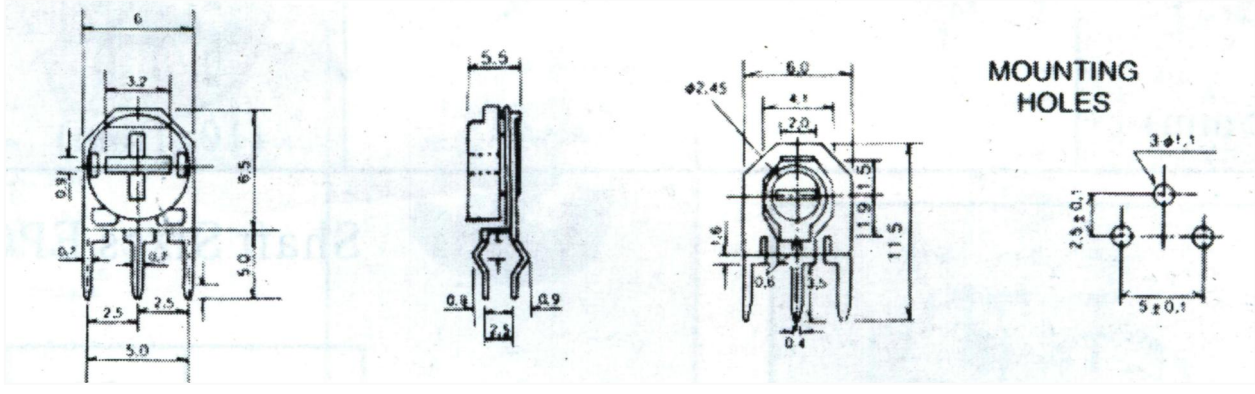


SHEET 1/1

Elcon

Copyright Elcon [India]. Unauthorised use and distribution of this document is strictly forbidden.



PART NAME:- EP065MH

PREPARED BY
M.A.H.E.S.H

REVIEWED BY
A.S. BISHI

TOLERANCE	
UP TO 10	±0.3
OVER 10 TO 100	±0.5
OVER 100	+1

DATE	
24.08.11	
UNIT	SCALE
MM	N.T.S.

