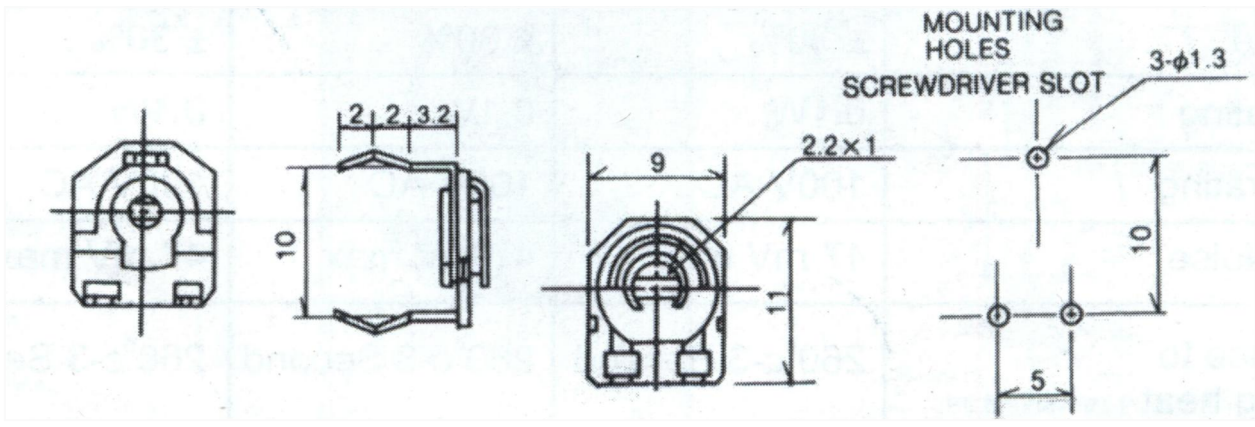


Copyright Elcon [India]. Unauthorised use and distribution of this document is strictly forbidden.



PART NAME:- EPG087L

PREPARED BY <i>M. HESH</i>	REVIEWED BY <i>A. S. BISHI</i>
-------------------------------	-----------------------------------

TOLERANCE	DATE	
	26.08.11	
	UNIT	SCALE
	MM	N.T.S.
UP TO 10	±0.3	
OVER 10 TO 100	±0.5	
OVER 100	+1	

