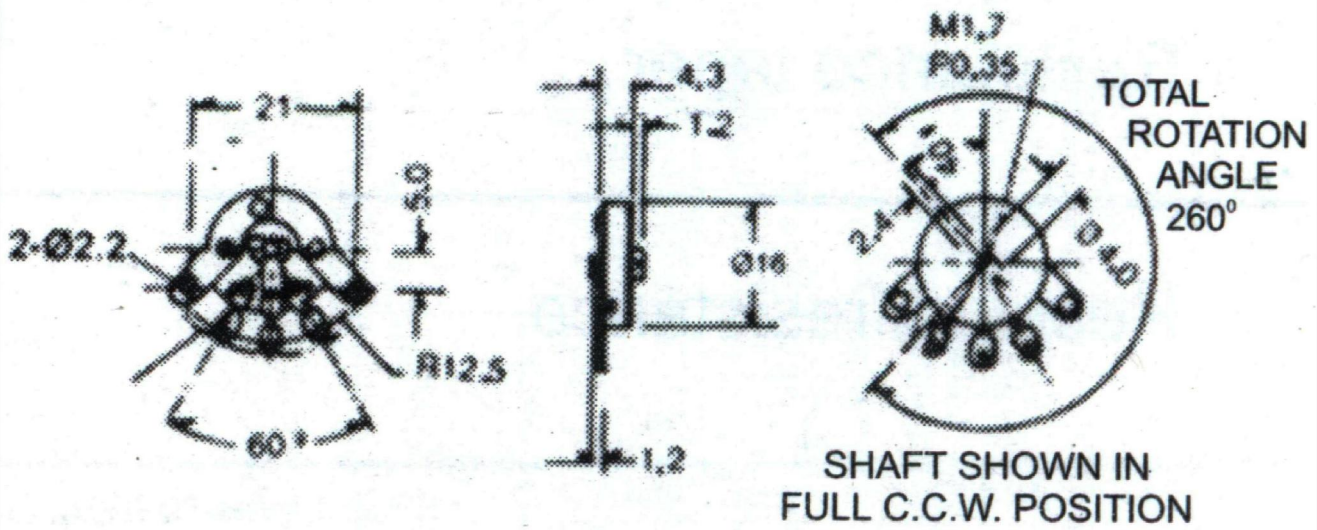


SHEET 1/1

Elcon



Copyright Elcon [India]. Unauthorised use and distribution of this document is strictly forbidden.

PART NAME:- EN16

PREPARED BY

MAHESH

REVIEWED BY

A.S. BISHI

TOLERANCE

UP TO 10 ± 0.3
 OVER 10 TO 100 ± 0.5
 OVER 100 ± 1

DATE

08.09.11

UNIT

MM

SCALE

N.T.S.