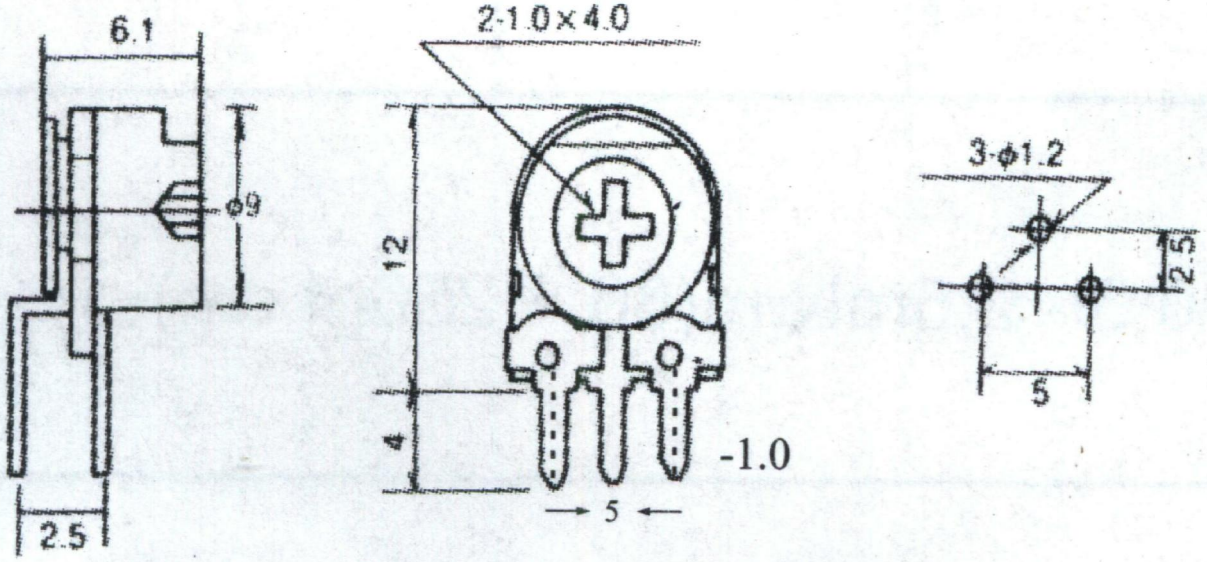


SHEET 1/1

Elcon



Copyright Elcon [India]. Unauthorised use and distribution of this document is strictly forbidden.

PART NAME:- EP083S

<u>PREPARED BY</u> <i>MAHESH</i>	<u>REVIEWED BY</u> <i>A.S BISHI</i>
-------------------------------------	--

TOLERANCE UP TO 10 ±0.3 OVER 10 TO 100 ±0.5 OVER 100 +1	DATE <i>15.08.11</i>	
	UNIT	SCALE
	MM	N.T.S.

