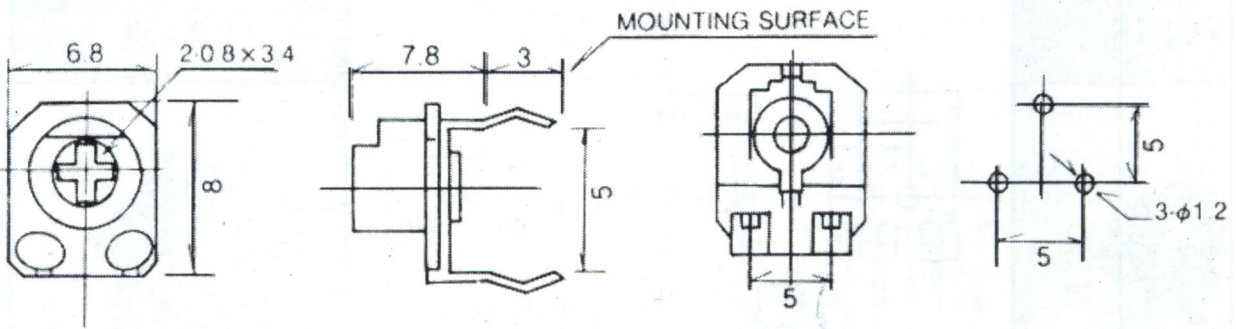


SHEET 1/1

Elcon

Copyright Elcon [India]. Unauthorised use and distribution of this document is strictly forbidden.



PART NAME:- EP065MV

PREPARED BY

MAHESH

REVIEWED BY

A.S BISHI

TOLERANCE

UP TO 10 ± 0.3
 OVER 10 TO 100 ± 0.5
 OVER 100 ± 1

DATE

22.08.11

UNIT

MM

SCALE

N.T.S.

