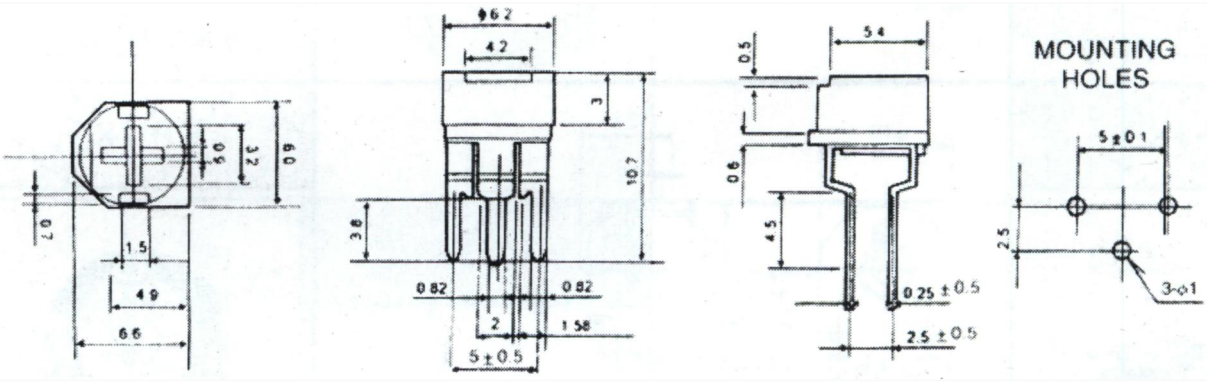


SHEET 1/1
Elcon

Copyright Elcon [India]. Unauthorised use and distribution of this document is strictly forbidden.



PART NAME:- EP065MV-1



PREPARED BY
M. H. E. S. H.

REVIEWED BY
A. S. B. J. H. J.

TOLERANCE
 UP TO 10 ± 0.3
 OVER 10 TO 100 ± 0.5
 OVER 100 ± 1

DATE
23.08.11

UNIT	SCALE
MM	N.T.S.