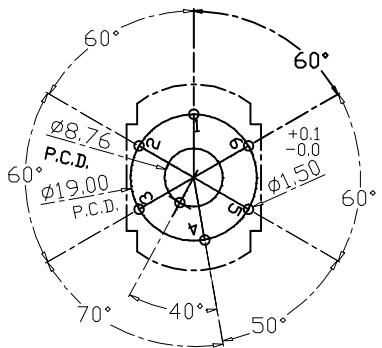


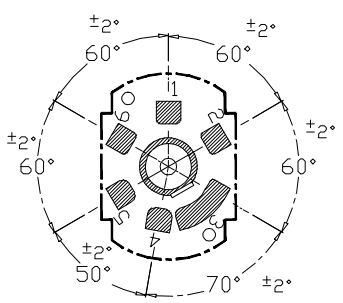
BOTTOM VIEW

P.C.B.MOUNTING HOLES

STANDARD CIRCUIT CONFIGURATIONS



SOLDER SIDE



COMPONENT SIDE

Copyright Elcon [India]. Unauthorised use and distribution of this document is strictly forbidden.

PART NAME:- ERS2310

PREPARED BY <i>M. A. H. E. S. H.</i>		REVIEWED BY <i>A. S. B. J. H. J.</i>	
TOLERANCE		DATE	
UP TO 10	±0.3	30.08.11	
OVER 10 TO 100	±0.5		
OVER 100	±1	UNIT	SCALE
		MM	N.T.S.

